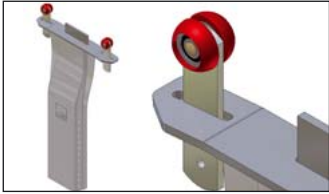
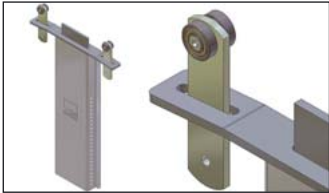


Accessories



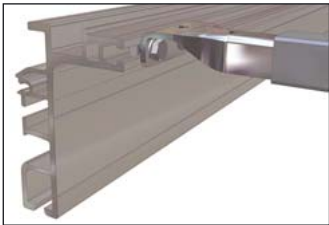
Quadro pillar bracket

- simply bolted to the pillar
- height adjustable
- fitted below the quadro track



Alto pillar bracket

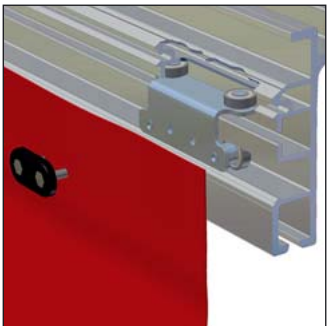
- simply bolted to the pillar
- height adjustable
- only 35 mm wide



Fixed roof

- Two types of roof struts:
- for PVC sheeting
 - for sheet metal

Curtain rollers for Alto 150 and Alto 150 VS2



- horizontal and vertical load is carried by four roller bearings
- the roller bearings and offset centre of gravity ensures the curtain rolls easily

We will be happy to provide further information.

Your vehicle bodybuilder



Quality Management

We are certified

Voluntary participation in regular monitoring according to ISO 9001:2008

■ Gebr. TITGEMEYER GmbH & Co. KG

Hannoversche Straße 97

(Navigation: Hettlicher Masch 2)

49084 Osnabrück, Germany

P.O. Box 4320

49033 Osnabrück, Germany

Telephone: +49 (0)5 41/58 22-0

Telefax: +49 (0)5 41/58 22-494

E-Mail: export@titgemeyer.com

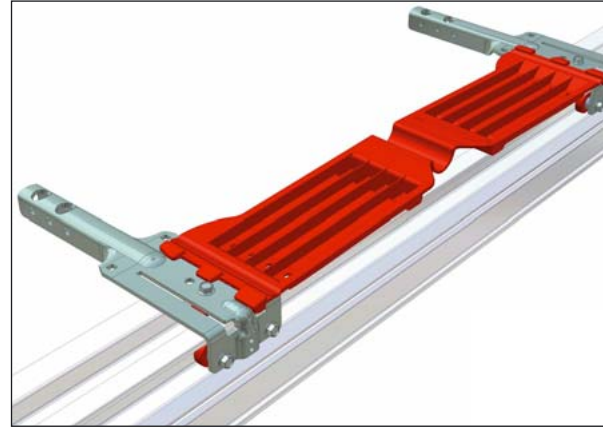
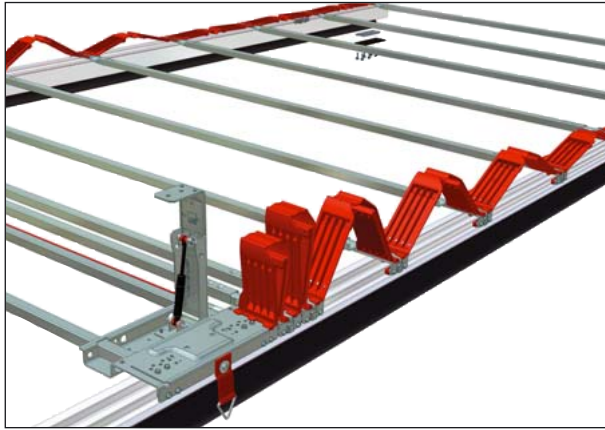
www.titgemeyer.com

TITGEMEYER[®]GTO



TITGEMEYER T11451GB(0910)2





■ GETO® Versus sliding roofs

GETO Versus sliding roofs are distinguished by a range of superb features. A spring element is integrated into the centre of the shock-absorbing folding panel. It was thus possible to completely dispense with the use of hinges.

At a glance:

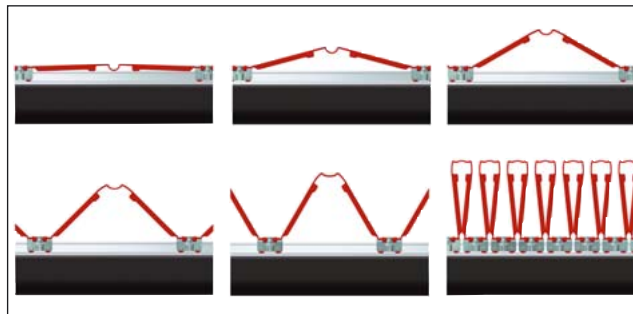
- Large screw-mounted track rollers ensure that the roof runs particularly smoothly and helps save time and labour when loading and unloading.
- Smooth running, ensuring quick and easy operation
- High quality ensures particularly low-maintenance
- Europe-wide spare parts availability ensures fast assistance
- GETO Versus is especially corrosion-resistant
- High commercial benefit thanks to economical price
- Particularly robust and sturdy
- Optimal addition to the TITGEMEYER Curtainsider series



Omega folding panels

The Omega geometry of the folding panels ensures a faultless and durable bending mechanism. As hinges have been dispensed with, the folding panels are practically maintenance-free. There is no limit to the number of times they can be compressed and expanded.

When open, the Omega bends horizontally without transmitting any tension to the roof sheet. In addition, the chamfering of the folding panels reduces the stress exerted on the roof sheet fasteners.



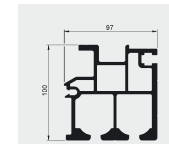
The Omega folding panels ensure a faultless and durable bending mechanism when opening the Versus sliding roof.

An end to sluggish-running sliding roofs

The thick plastic casing ensures easy handling and a particularly smooth roller run. This feature is enhanced by roller bearings, which guarantee smooth running. If required, the track rollers can even be dismantled without removing the roof - thanks to a screw connection which is as simple as it is secure.

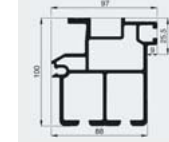


Cantrails for GETO Versus sliding roofs



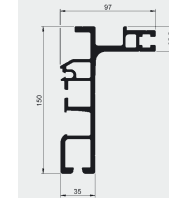
Quadro

- Track for universal use
- An ideal combination of stability, weight and dimensions



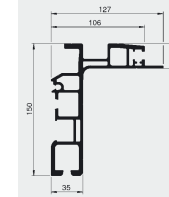
Kubus light

- Track for universal use in lightweight construction
- An alternative to the Quadro track
- Very light weight: just 4.8 kg/m



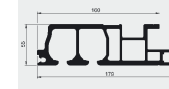
Alto 150

- Track for maximum internal height
- Only 35 mm wide, giving a maximum internal load width of 2480 mm
- Only 150 mm high
- Weight: only 6 kg/m



Alto 150 VS2

- Manufactured in 13,600 mm lengths for semi-trailers, certified design



Plano

- Track for maximum aperture height and internal width
- Only 55 mm high
- Weight: 7.5 kg/m