

TITGEMEYER^{GTO}

YOUR SOLUTION

■ Wheels / Rollers / Support



All rights reserved.

The technical data quoted in this catalogue, performance descriptions, recommendations and instructions e.g. for the installation of the components available from us, are without liability. These are based on our experience.

Claims against us as a consequence are expressly excluded as much of the application of our goods remains outside our direct influence.

It is a fundamental obligation of the user to ascertain and to decide whether the goods provided by us are appropriate for a particular application.

This catalogue is our intellectual property! Disclosure to third parties is prohibited.

Reproduction – even in part – as well as use of our illustrations and TITGEMEYER part-numbering systems is only permitted with our express permission in writing.

Subject to change.

Supply of goods is in conformity with our delivery and payment conditions.

Gebr. TITGEMEYER GmbH & Co. KG

Osnabrück

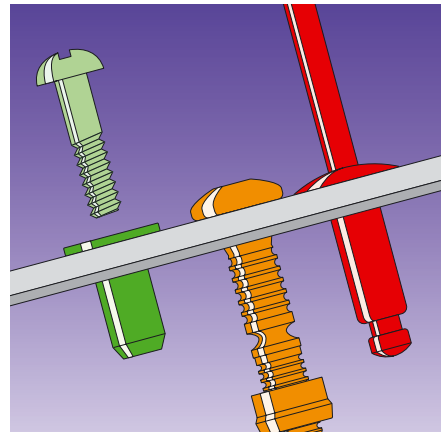
Over 100 years of tradition and expertise

At the turn of the century, an ironware wholesale business was established by the two Titgemeyer brothers, Adolf and Fritz, in their hometown of Melle. A few years later, offices were opened in the neighbouring town of Osnabrück. Since then, the business enterprise group TITGEMEYER has continuously developed and is today a leader in the fields of fastening technology and commercial vehicle equipment. The medium sized family organization is now led by the third generation - always with the aim of supplying the optimum solution for the customer - from single fixings, right up to complex vehicle systems.



Fastening Technology

The more varied the requirements, the more individual our solution is. The result: an extensive product range of fastening technology systems and solutions. New products are constantly being developed, as the manufacturing industry demands specially designed solutions. TITGEMEYER introduced the POP® blind rivet to the German market. Its application revolutionised traditional fastening technology.



The TITGEMEYER fastening technology product range

- Blind Rivets
- Threaded Inserts
- Assembly Systems
- Installation Tools
- Sealants and Adhesives

Vehicle components with style

The ideas and wishes of our customers are our benchmark. That is why we carefully develop approved products and systems for the manufacture of modern commercial vehicles. Safety, cost effectiveness and the environment – these requirements are all satisfied by our product range. The original and innovative body kit system, GETO Van®, is only one of many system solutions available from TITGEMEYER today.



The TITGEMEYER commercial vehicle product range

- Body Kits
- Chassis Technology
- Bodywork Components
- Bodywork Systems

Wheels	Support wheels	Support wheels for car trailers and accessories14.01.01.1
		Support wheels for farm carts14.01.02.1
	Support	Parking support.....14.02.01.1
		Quick support devices14.02.02.1
	Rollers	Rollers14.03.01.1
	Wheels	Aluminium disk wheels14.04.01.1
		Complete wheels for car trailers14.04.02.1
		Complete wheels for truck trailers14.04.03.1

Content

140 012 100.....	14.04.01.1	148 135 000.....	14.01.01.3	157 297 000.....	14.04.03.1
140 013 101.....	14.04.01.1	148 139 000.....	14.01.01.3	157 298 000.....	14.04.03.1
140 014 000.....	14.04.01.1	148 140 000.....	14.01.01.4	157 299 000.....	14.04.03.1
140 015 001.....	14.04.01.1	148 141 000.....	14.01.01.4		
140 016 000.....	14.04.01.1	148 143 000.....	14.01.01.2	157 300 000.....	14.04.03.1
140 017 001.....	14.04.01.1	148 144 000.....	14.01.01.2	157 301 000.....	14.04.03.1
140 022 000.....	14.04.01.1	148 146 000.....	14.01.01.2	157 302 000.....	14.04.03.1
140 024 000.....	14.04.01.1	148 147 000.....	14.01.01.2	157 304 000.....	14.04.03.1
140 025 001.....	14.04.01.1	148 148 000.....	14.01.01.4	157 316 000.....	14.04.03.1
140 026 000.....	14.04.01.1	148 154 000.....	14.01.01.2	157 323 000.....	14.04.03.1
140 027 001.....	14.04.01.1	148 157 000.....	14.01.01.2	157 324 000.....	14.04.03.1
140 032 100.....	14.04.01.1	148 163 000.....	14.01.01.3	157 325 000.....	14.04.03.1
140 033 101.....	14.04.01.1	148 164 000.....	14.01.01.2	157 327 000.....	14.04.03.1
140 043 101.....	14.04.01.1	148 166 000.....	14.01.01.1	157 328 000.....	14.04.03.1
140 071 001.....	14.04.01.1	148 171 000.....	14.01.01.1	157 341 000.....	14.04.03.1
140 080 001.....	14.04.01.1	148 171 000.....	14.01.01.2	157 345 000.....	14.04.03.1
				157 346 000.....	14.04.03.1
140 510 000.....	14.02.02.1	148 201 000.....	14.02.01.3	157 355 000.....	14.04.03.1
140 512 000.....	14.02.02.1	148 202 000.....	14.02.01.3	157 356 000.....	14.04.03.1
		148 203 000.....	14.02.01.3	157 357 000.....	14.04.03.1
147 113 000.....	14.03.01.1	148 204 000.....	14.02.01.3	157 358 000.....	14.04.03.1
147 122 000.....	14.03.01.1	148 206 000.....	14.02.01.3	157 359 000.....	14.04.03.1
				157 362 000.....	14.04.03.1
147 384 000.....	14.03.01.2	157 030 000.....	14.04.02.1	157 363 000.....	14.04.03.1
147 387 000.....	14.03.01.2	157 033 000.....	14.04.02.1	157 364 000.....	14.04.03.1
147 390 000.....	14.03.01.2	157 033 001.....	14.04.02.1	157 365 000.....	14.04.03.1
147 396 000.....	14.03.01.2	157 034 000.....	14.04.02.1	157 367 000.....	14.04.03.1
		157 038 000.....	14.04.02.1	157 369 000.....	14.04.03.1
147 435 000.....	14.03.01.2	157 038 001.....	14.04.02.1	157 375 000.....	14.04.03.1
147 438 000.....	14.03.01.2	157 039 000.....	14.04.02.1	157 376 000.....	14.04.03.1
147 441 000.....	14.03.01.2	157 039 001.....	14.04.02.1		
147 447 000.....	14.03.01.2	157 039 002.....	14.04.02.1		
147 459 000.....	14.03.01.3	157 040 001.....	14.04.02.1		
147 464 000.....	14.03.01.3	157 041 001.....	14.04.02.1		
		157 045 000.....	14.04.02.1		
148 003 000.....	14.01.01.3	157 072 011.....	14.04.02.1		
148 009 001.....	14.01.01.3	157 074 001.....	14.04.02.1		
148 012 000.....	14.01.01.1	157 078 001.....	14.04.02.1		
148 014 000.....	14.01.01.1	157 087 001.....	14.04.02.1		
148 017 000.....	14.01.01.1				
148 026 000.....	14.01.01.4	157 108 000.....	14.04.02.1		
148 027 000.....	14.01.01.4	157 110 001.....	14.04.02.1		
148 044 000.....	14.02.01.4	157 111 001.....	14.04.02.1		
148 046 000.....	14.02.01.4	157 112 001.....	14.04.02.1		
148 061 000.....	14.01.02.1	157 113 000.....	14.04.02.1		
148 063 000.....	14.01.02.1	157 117 001.....	14.04.02.1		
148 064 000.....	14.01.02.1				
148 065 000.....	14.01.02.1	157 260 000.....	14.04.03.1		
148 073 000.....	14.01.02.1	157 261 000.....	14.04.03.1		
148 080 000.....	14.02.01.4	157 262 000.....	14.04.03.1		
148 081 000.....	14.02.01.4	157 265 000.....	14.04.03.1		
148 082 000.....	14.02.01.4	157 280 000.....	14.04.03.1		
148 087 000.....	14.02.01.1	157 282 000.....	14.04.03.1		
148 088 000.....	14.02.01.1	157 284 000.....	14.04.03.1		
148 091 000.....	14.02.01.2	157 287 000.....	14.04.03.1		
148 092 000.....	14.02.01.2	157 288 000.....	14.04.03.1		
148 093 000.....	14.01.01.4	157 289 000.....	14.04.03.1		
148 095 000.....	14.02.01.2	157 290 000.....	14.04.03.1		
148 095 001.....	14.02.01.2	157 291 000.....	14.04.03.1		
148 097 010.....	14.02.01.2	157 292 000.....	14.04.03.1		
		157 294 000.....	14.04.03.1		
148 104 000.....	14.01.02.1	157 295 000.....	14.04.03.1		

Support wheels for car trailers

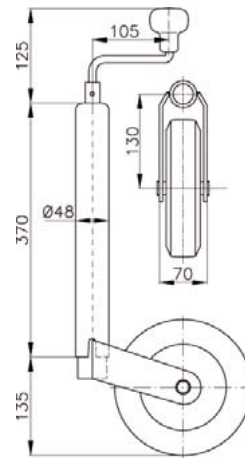
Made of thick walled steel tube with a solid spindle, with solid or pneumatic tyres on a steel sheet rim, vertical-adjustable through a Clamping device device, with a simple fixture possibility

Tongue load, static: approx. 150 kg

Material: Steel pieces - galvanised

Wheel - steel sheet, galvanised

Clamping device: Part No. 148 171 000



148 012 000 / 017 000



148 014 000

Tyre equipment	Tyre size [mm]	Overall height [mm]	Exterior tube ø [mm]	Interior tube ø [mm]	Stroke [mm]	Weight approx. [kg/each]	Article No.
Solid	200 x 50	630	48 x 2.5	42 x 2.5	220	4.7	148 012 000
Pneumatic	260 x 85	625	48 x 2.5	42 x 2.5	210	5.2	148 014 000
Strengthened type with thrust block							
Solid	200 x 50	625	48 x 3.5	40 x 3.0	250	5.2	148 017 000

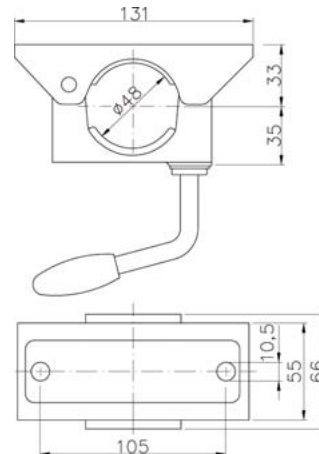
Clamping device

With set screw, with wide heel for a 48 mm tube-ø, for support wheels and parking supports without tube holder

Material: Steel, galvanised

Weight: approx. 0,76 kg/each

Article No. **148 171 000**



148 171 000

Tube holder

To fix the Clamping device Part No. 148 171 000 to the pole pipe, one-sided prepared for a radius of 70 mm, with 2 mounting flanges and 2 U-profiles, as well as screw material

Material: Steel, galvanised

Weight: approx. 0,67 kg/each

Article No. **148 166 000**



148 166 000

14.01.01.2

Wheels

Support wheels

Support wheels for car trailers and accessories

Spare parts for support wheels of car trailers

Spare part notation	Suitable for the support wheel		Article No.
	Size	Part No.	
Solid tyre	200 x 50	148 012 000	148 143 000
Pneumatic tyre	260 x 85	148 014 000	148 144 000
Wheel pin	200 x 50	148 012 000	148 146 000
	260 x 85	148 014 000	148 147 000
Clamping device, complete	all	148 012 000/014 000	148 171 000
Set screw	all	148 012 000/014 000	148 154 000
Crank, complete with handle	all	148 012 000/014 000	148 164 000
Clamping device sleeve	all	148 012 000/014 000	148 157 000

The technical specifications contained in this brochure are approximate and no guarantee is given as to their accuracy. Designs are subject to change.

Support wheels for car trailers and accessories**Support wheel, automatically hinged**

With solid wheel \varnothing 200 x 60 mm on a steel sheet rim,
with a brazed mounting plate

Spacing of holes: 105 x 50 mm or 70 x 50 mm

Length in initial position: 640 mm

Exterior tube- \varnothing : 60 x 4 mm

Boring length: 235 mm

Flap stroke: 235 mm

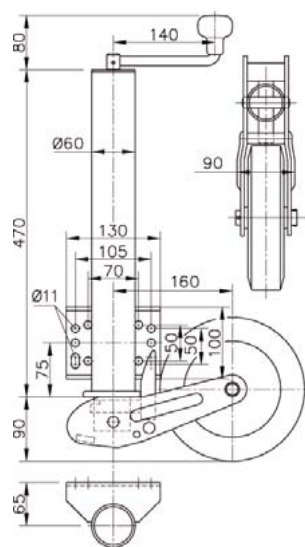
Tongue load, static: approx. 250 kg

Material: tyre – steel sheet, galvanised

support – steel, galvanised

Weight: approx. 10,24 kg/each

Article No. 148 003 000



148 003 000

Loose for spare parts requirements

Soft tyre – **Article No. 148 139 000**

Crank – **Article No. 148 163 000**

Pin – **Article No. 148 135 000**

Support wheel, automatically hinged

With solid wheel \varnothing 225 x 50 mm on a steel sheet rim,
with a brazed mounting plate

Spacing of holes: 105 x 50 mm or 70 x 50 mm

Length in initial position: 750 mm

Exterior tube- \varnothing : 60 x 4 mm

Boring length: 335 mm

Flap stroke: 235 mm

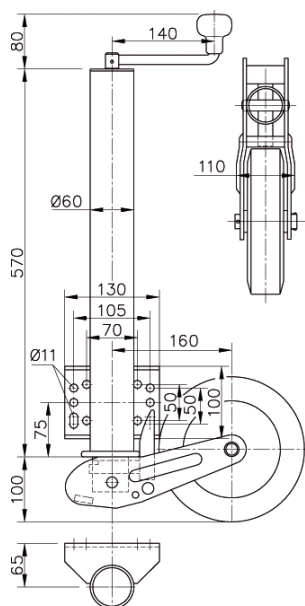
Tongue load, static: approx. 500 kg

Material: tyre – steel sheet, galvanised

support – steel, galvanised

Weight: approx. 11,99 kg/each

Article No. 148 009 001



148 009 001

14.01.01.4

Wheels

Support wheels

Support wheels for car trailers and accessories

Support wheel, rigid

With solid tyre \varnothing 255 x 70 mm on a steel sheet rim, without mounting plate

Length in initial position: 605 mm

Exterior tube- \varnothing : 60 x 4 mm

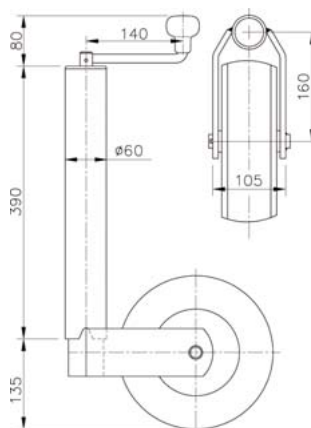
Boring length: 230 mm

Tongue load, static: approx. 400 kg

Material: tyre – steel sheet, galvanised
support stay – steel, galvanised

Weight: approx. 9,50 kg/each

Article No. 148 026 000



148 026 000

Loose for spare parts requirements

Solid tyre \varnothing 225 x 70 mm – **Article No. 148 140 000**

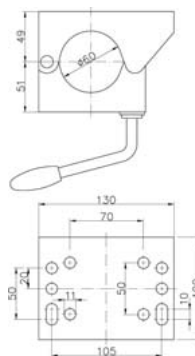
Clamping device device

With set screw, for support wheels and parking supports with 60 mm tube- \varnothing

Material: steel, galvanised

Weight: approx. 1,70 kg/each

Article No. 148 027 000 – to screw on



148 027 000

Support wheel, hinged

With socket pin locking, with solid tyre \varnothing 250 x 60 mm on a steel sheet rim, without mounting plate

Length in initial position: 745 mm

Exterior tube- \varnothing : 70 x 4 mm

Flap stroke: 245 mm

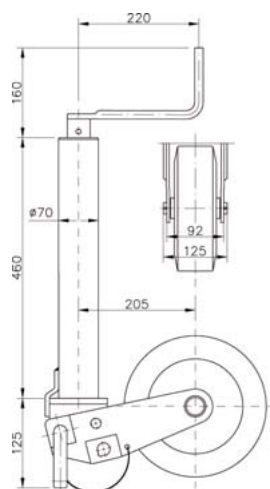
Boring length: 220 mm

Tongue load, static: approx. 500 kg

Material: tyre – steel sheet, galvanised
support stay – steel, galvanised

Weight: approx. 16,0 kg/each

Article No. 148 093 000



148 093 000

Loose for spare parts requirements

Solid tyre – **Article No. 148 141 000**

Socket pin – **Article No. 148 148 000**

The technical specifications contained in this brochure are approximate and no guarantee is given as to their accuracy. Designs are subject to change.

Support wheels – hinged

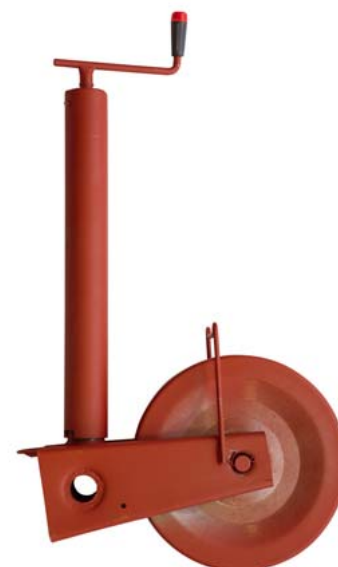
For two-wheel trailers of all kinds, especially recommended for agricultural and forest trailers. Without mounting plates, with crank handle.



148 073 000



148 064 000



148 061 000

Tyre equipment	Tyre size ø x width [mm]	Overall height H [mm]	Exterior tube ø [mm]	Spindle stroke [mm]	Flap stroke h [mm]	Tongue load [kg]	Weight approx. [kg/each]	Article No.
with crank handle								
Sheet metal ballon	280 x 70	910	70.0	300	310	1500	17.5	148 073 000
Sheet metal ballon	280 x 80	1030	70.0	240	430	1500	17.6	148 063 000
Solid	280 x 65	1025	70.0	240	420	1200	19.0	148 064 000
Sheet metal ballon	310 x 90	1030	70.0	240	430	1500	17.8	148 065 000
Sheet metal ballon	400 x 100	1345	82.0	400	535	1500	34.0	148 061 000

Loose for spare parts requirements

Pneu. tyre ø 280 x 70 mm – **Article No. 148 104 000** suitable for support wheel Part No. 148 073 000

14.01.02.2

Wheels

Support wheels

Support wheels for farm carts

Parking support with handle

Without spindle, with round support leg \varnothing 90 mm, tube end closed with plastic cap, for sales vehicles and other light two-wheel trailers

Exterior tube- \varnothing : 48 mm

Tube length: 600 mm without Handle
650 mm with Handle

Tongue load, static: approx. 150 kg

Material: steel, galvanised

Weight: approx. 1,90 kg/each

Clamping device: Part No. 148 171 000

Article No. 148 087 000



148 087 000

Parking support with handle

Without spindle, with round support leg \varnothing 110 mm, tube end closed with weld handle, for sales vehicle and other light two-wheel trailers

Exterior tube- \varnothing : 48 x 2,3 mm

Tube length: 765 mm with handle

Tongue load, static: approx. 150 kg

Material: steel, galvanised

Weight: approx. 2,30 kg/each

Clamping device: Part No. 148 171 000

Article No. 148 088 000



148 088 000

14.02.01.2

Wheels

Support

Parking support

Trailer support

For trailers of all kinds, with removable crank,
with bottom plate \varnothing 160 mm

Exterior tube- \varnothing : 60 mm, square

Overall height: 650 mm

Boring length: 400 mm

Tongue load, static: approx. 1000 kg

Material: steel, galvanised

Weight: approx. 10,0 kg/each

Article No. 148 091 000



148 091 000

Trailer support

For trailers of all kinds, with bottom plate \varnothing 220 mm,
with hexagonal connection

Exterior tube- \varnothing : 70 mm, square

Overall height: 610 mm

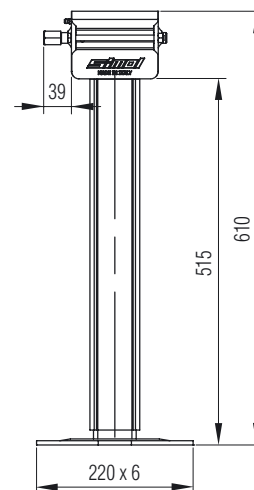
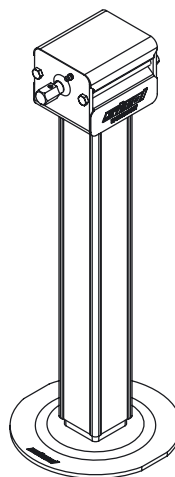
Boring length: 300 mm

Tongue load, static: approx. 3000 kg

Material: steel, primed

Weight: approx. 12,60 kg/each

Article No. 148 097 010



148 097 010

Trailer support, hinged, removable

For trailers of all kinds, with movement free angle drive,
incl. counterflange with bottom plate

Bottom plate: approx. 120 x 165 mm - Part No. 148 092 000

approx. 120 x 165 mm - Part No. 148 095 000

Exterior tube- \varnothing : 57 mm

Overall height: 430 mm

Height to mid-

companion flange: 280 mm

Spindle stroke: 250 mm

Tongue load, static: approx. 1300 kg

Crank length: 110 mm

Material: steel, galvanised

Weight: approx. 7,100 kg/each

Article No. 148 092 000 – with crank

148 095 000 – with hexagonal 19 x 30 mm

148 095 001 – Counterflange



148 092 000



148 095 000
Supplied with mating flange

The technical specifications contained in this brochure are approximate and no guarantee is given as to their accuracy. Designs are subject to change.

Spindle winches

Equipped with self locking trapezoidal worm-gear spindle and maintenance-free bevel gears, these winches are manifold applicable:

- For ergonomic adjustment of the working height
- For reliable support
- For levelling exactly in millimetre
- For sliding, adjustment, etc.

Crank pressure: 140 N up to 1000 kg tongue load
260 N up to 3000 kg tongue load



148 200 000

Type	Drop stroke [mm]	Spindle stroke [mm]	Overall height [mm]	Bottom plate [mm]	Tongue load, static [kg]	Crank design	Weight approx. [kg/each]	Article No.
2044.0.5 P	–	300	500	60 x 70	500	removable	4.0	148 201 000
2048.1 P	–	300	525	100 x 100	1000	fixed	5.5	148 202 000
2083.1 P	6 x 50	300	585	100 x 100	1000	removable	7.5	148 206 000
2048.3 K	–	350	670	130 x 130*	3000	removable	16.0	148 203 000
2088.3 K	300	350	720	130 x 130*	3000	removable	20.0	148 204 000

* with ball plate, all sides to max. 10° tilt

14.02.01.4

Wheels

Support

Parking support

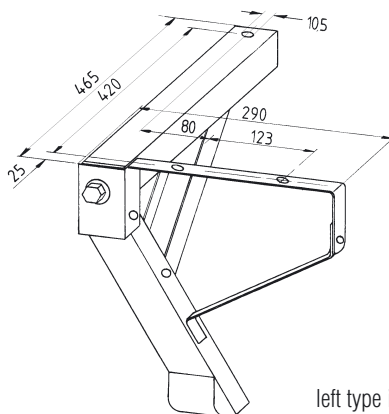
Turn-out supports

For car trailers, caravans and sales vehicles, as well as motor-caravans and pick-ups.

The support is twisted into the desired level with the help of the crank handle.

The hexagonal nut on the face is easy to reach for the crank.

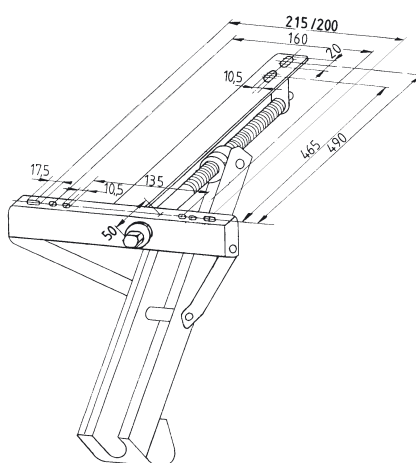
Material: structured steel, galvanised



left type is illustrated



148 080 000
148 081 000



148 082 000

Type	Boring length [mm]	Tongue load* static [kg]	U-steel [mm]	Weight approx. [kg/each]	Article No.	
					left	right
ADS 460	450	1800	40 x 40 x 3	4.57	148 082 000	148 082 000
ADS 480	480	2000	50 x 40 x 4	6.72	148 080 000	148 081 000

* Using 4 pieces, from 45° angle of inclination

Turn-out support

Applicable to the right and to the left, guide bars and fixture possibilities exist on both sides

Length: 520 mm

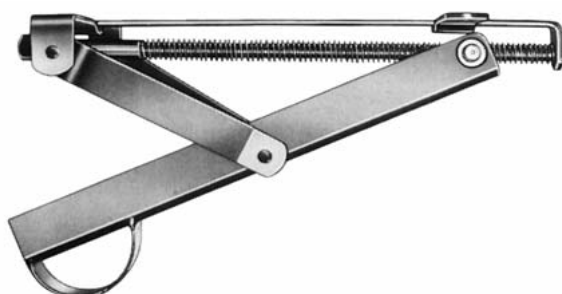
Boring length: 430 mm

Tongue load, static: approx. 500 kg

Material: steel, galvanised

Weight: approx. 4,2 kg/each

Article No. 148 044 000



148 044 000

Crank handle

Suitable for parking support described above, width across flat 19

Material: steel, galvanised

Length: 660 mm

Weight: approx. 0,56 kg/each

Article No. 148 046 000



148 046 000

The technical specifications contained in this brochure are approximate and no guarantee is given as to their accuracy. Designs are subject to change.

GETO® Quick supporting device

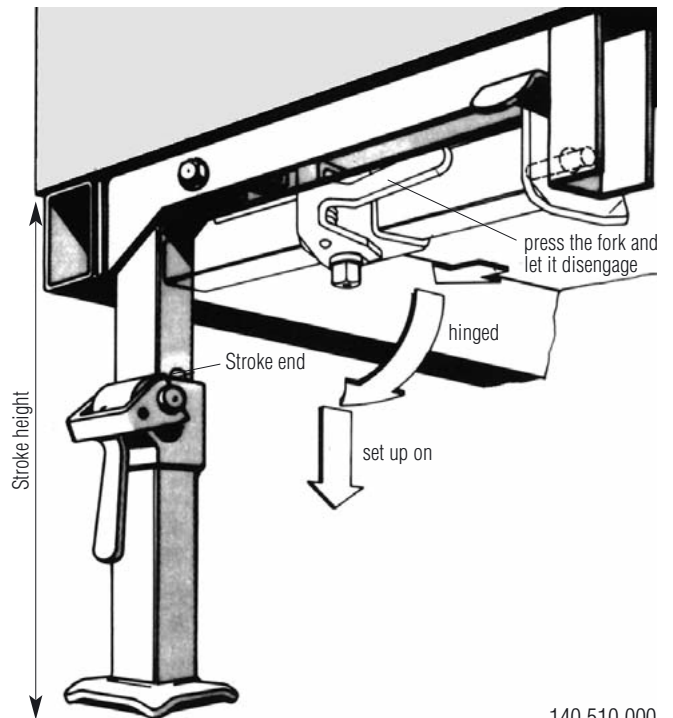
Simple-to-use quick supporting device for two-wheel and tandem trailers, motor-caravans and pick-ups.

The interior tube slips on the floor after the release of the self locking catch. Now the crank starts to operate under „load“ with the help of the reversing racket.

The interior tube is balanced through pressure onto the catch, it can be pushed in and be brought into the horizontal neutral position.

Material: steel, galvanised
stroke support, polyseal-coat

Type	Hinged length [mm]	Stroke load [kg/each]	Weight approx. [kg/each]	Article No.
VS	335 – 440	500	4.15	140 510 000



140 510 000

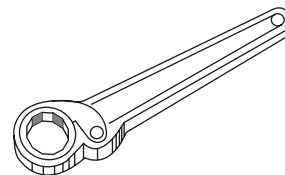
Reversing racket, twelve-angled / 19 mm

Use the GETO Quick support device

Material: steel, galvanised

Weight: approx. 0,80 kg/each

Article No. 140 512 000



140 512 000

14.02.02.2

Wheels

Support

Supporting device

Bracket rollers with pneumatic tyre-equipment

With roller bearing inside the hub

Material: wheel disc – steel jammed, screwed
bracket – galvanised-chromatised

Lifting capacity* approx. [kg/each]	Tyre size ø x width [mm]	Overall height [mm]	Screw hole distance [mm]	Article No.
200	260 x 85	295	190 x 75	147 113 000

* The lifting capacity is validated for driving at a walking pace!



147 113 000

Steerable rollers with pneumatic tyre-equipment

With roller bearing inside the hub and swivel bearing with double ball ring

Material: wheel discs – steel jammed, screwed
case and plate – steel sheet, galvanised-chromatised

Lifting capacity* approx. [kg/each]	Tyre size ø x width [mm]	Overall height [mm]	Screw hole distance [mm]	Article No.
200	260 x 85	295	140 x 140	147 122 000

* The lifting capacity is validated for driving at a walking pace!



147 122 000

14.03.01.2

Wheels

Rollers

Rollers

Bracket rollers with solid tyre-equipment*, flat section

„Gelbring“ quality, with roller bearing

Material: wheel discs and case – steel sheet,
galvanised-chromatised

Lifting capacity* approx. [kg/each]	Tyre size ø x width [mm]	Overall height [mm]	Screw hole distance [mm]	Article No.
70	100 x 30	129	76/80 x 60	147 384 000
100	125 x 38	155	76/80 x 60	147 387 000
135	160 x 40	190	105 x 75/80	147 390 000
205	200 x 50	235	105 x 75/80	147 396 000

* Solid tyre with journal bearing (polyamide can)

** The lifting capacities are validated for smooth road surfaces and for driving at a walking pace!



147 384 000 - 396 000

Steerable rollers with solid tyre-equipment*, flat section

„Gelbring“ quality, with roller bearing

Material: wheel discs and case – steel sheet,
galvanised-chromatised

Lifting capacity* approx. [kg/each]	Tyre size ø x width [mm]	Overall height [mm]	Screw hole distance [mm]	Article No.
70	100 x 30	129	76/80 x 60	147 435 000
100	125 x 38	155	76/80 x 60	147 438 000
135	160 x 40	190	105 x 75/80	147 441 000
205	200 x 50	235	105 x 75/80	147 447 000

* Solid tyre with journal bearing (polyamide can)

** The lifting capacities are validated for smooth road surfaces and for driving at a walking pace!



147 435 000 - 447 000

The technical specifications contained in this brochure are approximate and no guarantee is given as to their accuracy. Designs are subject to change.

Steering rollers with parking mechanism

Spreader tommy model, with solid tyres, flat section,
„Gelbring“ quality with roller bearing
Material: steel sheet, galvanised-chromatised

Lifting capacity* approx. [kg/each]	Tyre size ø x width [mm]	Overall height [mm]	Screw hole distance [mm]	Article No.
70	100 x 30	120	76/80 x 60	147 459 000

* The lifting capacities are validated for smooth road surfaces and for driving at a walking pace!



147 459 000

Steering rollers with parking mechanismg

With solid tyres, flat section, „Gelbring“ quality with roller bearing
Material: steel sheet, galvanised-chromatised

Lifting capacity* approx. [kg/each]	Tyre size ø x width [mm]	Overall height [mm]	Screw hole distance [mm]	Article No.
205	200 x 50	235	105 x 75/80	147 464 000

* The lifting capacities are validated for smooth road surfaces and for driving at a walking pace!



147 464 000

14.03.01.4

Wheels

Rollers

Rollers

Aluminium disk wheels, TCB (in GB: MoT)-certified

For trucks, trailers or buses.

2 models: dull or polished on both sides.

- Higher load capacity
- Longer service life
- Low maintenance
- Improved cleanability
- Lower operating expenses
- Higher safety
- Optical revalorisation

One-piece, forged aluminium wheels for 15° tapered rim radial tyres, drop centre for tubeless tyre fitting, for spigot mounting, with pre-set, mounted nickel-plated valve. Standard wheel nuts with rotating pressure plate in accordance with DIN 74 361, Part 3, can be used.

Mounting and maintenance instructions available on request.

The higher plate thickness of the wheels requires longer wheel bolts.



dura bright® is a patented surface treatment that penetrates the aluminium. This makes for exceptionally easy cleaning using just soap and water.

Rim size	Half distance centre-to- centre [mm]	Disk depth [mm]	Plate thickness [mm]	Bolt hole- ∅ [mm]	No. of bolts [Stück]	Bolt circle- ∅ [mm]	Centre bore- ∅ [mm]	max. wheel load [kg]	Weight approx. [kg/each]	Article No.	
										dull	dura bright®
17.5 x 6.75	133	117	19	26	10	225	176	3000	13.7	-	-
				24						-	140 071 001
19.5 x 7.50	155	134	21	30	8	275	221	3000	17.7	-	-
				32						-	-
19.5 x 8.25	167	146	21	30	8	275	221	3150	18.5	-	-
				32						-	140 080 001
19.5 x 14.00	-	0	25	26	8	275	221	4500	23.6	-	-
22.5 x 7.50	160	138	22	26	10	335	281	3550	23.7	-	-
				32						-	-
22.5 x 8.25	168	146	22	26	10	335	281	3750	23.1	140 016 000	140 017 001
				32						140 026 000	140 027 001
22.5 x 9.00	176	154	22	26	10	335	281	4125	23.5	140 014 000	140 015 001
				32						140 024 000	140 025 001
22.5 x 11.75	-	0	21	26	10	335	281	4750	21.0	140 012 100	140 013 101*
				32						140 022 000	-
				26						140 032 100	140 033 101
				32						-	140 043 101

* Only polished externally

14.04.01.2

Wheels

Wheels

Aluminium disk wheels

Aluminium disk wheels, TCB (in GB: MoT)-certified

Rim size	Suitable for tyre size
17.5 x 6.75	215/75 R 17.5
	235/75 R 17.5
	245/70 R 17.5
19.5 x 7.50	245/70 R 19.5
	265/70 R 19.5
	285/70 R 19.5
19.5 x 8.25	265/70 R 19.5
	285/70 R 19.5
	305/70 R 19.5
19.5 x 14.00	435/50 R 19.5
	445/45 R 19.5
22.5 x 7.50	255/70 R 22.5
	275/70 R 22.5
22.5 x 8.25	275/70 R 22.5
	285/60 R 22.5
	295/60 R 22.5
	295/70 R 22.5
	295/80 R 22.5
	305/70 R 22.5
	295/80 R 22.5
22.5 x 9.00	305/60 R 22.5
	305/70 R 22.5
	315/60 R 22.5
	315/70 R 22.5
	315/80 R 22.5
22.5 x 11.75	355/50 R 22.5
	385/55 R 22.5
	385/65 R 22.5

The technical specifications contained in this brochure are approximate and no guarantee is given as to their accuracy. Designs are subject to change.

Complete wheels for car trailers



Tyre size	Load-index	Static tyre radius [mm]	Width [mm]	External-ø [mm]	Carrying power at 100 km/h approx. [kg/tyre]	Rim size	Tyre connection	Offset	Tyre pressure	Article No.
195/50-10	98	219	187	455	750	6.00I x 10H2	5/67/112	-4	6	157 038 000
	98	219	187	455	750	6.00I x 10H2	5/94/140	-4	6	157 038 001
195/55 R10C	98	193	197	469	750	6.00I x 10H2	5/94/140	-4	6	157 033 000
	98	193	197	469	750	6.00I x 10H2	5/67/112	-4	6	157 033 001
20.5 x 8.50 - 10	98 M	245	200	520	750	6.00I x 10H2	5/67/112	-4	6.25	157 030 000
155/70 R12C	104	244	155	525	900	4 1/2J x 12	5/67/112	0	6.5	157 039 000
	104	244	155	525	900	4 1/2J x 12	5/67/112	20	6.5	157 039 001
	104	244	155	525	900	4 1/2J x 12	5/67/112	30	6.5	157 039 002
225/55 R12	104	255	232	554	900	7.00J x 12	5/67/112	10	5.3	157 034 000
155/80 R13	84	262	157	578	500	4 1/2J x 13	4/60/100	30	3.4	157 040 001
	84	262	157	578	500	4 1/2J x 13	5/67/112	30	3.4	157 041 001
165 R13C	96	278	165	594	670	4 1/2J x 13	5/67/112	30	4.5	157 045 000
195/50 R13C	104	244	198	525	900	6J x 13	5/67/112	30	6.25	157 072 011
175 R14C 8PR	99	289	178	634	775	5 1/2J x 14	5/67/112	30	4.5	157 113 000
185 R 14C 8PR	104	303	188	652	900	5 1/2J x 14	5/67/112	30	4.5	157 074 001
185/65 R14	93	272	189	596	650	5 1/2J x 14	5/67/112	30	3.4	157 078 001
195 R14C 8PR	106	310	198	666	950	5 1/2J x 14	5/67/112	30	4.5	157 108 000
	106	310	198	666	950	6 J x 14	6/161/205	0	4.5	157 110 001
195/70 R14	96	285	201	630	710	5 1/2J x 14	5/67/112	30	3.4	157 087 001
205 R14C 8PR	109	317	208	686	1030	6 J x 14	6/161/205	0	4.5	157 111 001
215 R14C 8PR	116	324	218	700	1120	6 J x 14	6/161/205	0	4.5	157 112 001
195/65 R15	93	290	201	635	650	5 1/2 J x 15	5/67/112	30	3.4	157 117 001

14.04.02.2

Wheels

Wheels

Complete wheels for car trailers

Complete wheels for truck trailers

Tyre size	Load-index	Load rating kg per axle		ø [mm]	Tyre-Width [mm]	Rolling circumference	Static radius	No.	Tyre Connection size	Complete tyre
		E	Z							Article No.
205/65R17.5	129/127 K	3700	7000	721	209	2169	336	2870015	6/205 ET 0	157 260 000
	132/132 F	4000	8000	721	209	2169	336	8479	6/205 ET 116	157 261 000
	132/132 F	4000	8000	721	209	2169	336	8580	10/225 ET 122	157 262 000
215/75R17.5	135/133 K	4360	8240	779	228	2340	359	2870015	6/205 ET 0	157 284 000
	135/133 K	4360	8240	779	228	2340	359	8479	6/205 ET 116	157 280 000
235/75R17.5	135/133 K	4360	8240	779	228	2340	359	8580	10/225 ET 122	157 282 000
	143/141 K	5450	10300	811	242	2430	373	2870153	6/205 ET 0	157 289 000
	143/141 K	5450	10300	811	242	2430	373	2870173	10/225 ET 131.5	157 287 000
245/70R17.5	143/141 K	5450	10300	811	242	2430	373	2870174	10/225 ET 121.5	157 288 000
	143/141 L	5450	10300	811	248	2390	360	2870153	6/205 ET 0	157 291 000
	146/146 F	6000	12000	811	248	2390	360	2870173	10/225 ET 131.5	157 290 000
245/70R19.5	146/146 F	6000	12000	811	248	2390	360	2870174	10/225 ET 121.5	157 290 000
	141/140 K	5150	10000	853	258	2559	389	2890011	6/205 ET 0	157 301 000
	141/140 K	5150	10000	853	258	2559	389	2890165	8/275ET 139	157 302 000
265/70R19.5	141/140 K	5150	10000	853	258	2559	389	2890166	10/225 ET 138.5	157 295 000
	143/141 K	5450	10300	867	264	2671	404	2890011	6/205 ET 0	157 265 000
	143/141 K	5450	10300	867	264	2671	404	2890165	8/275ET 139	157 298 000
285/70R19.5	143/141 K	5450	10300	867	264	2671	404	2890166	10/225 ET 138.5	157 297 000
	150/148 K	6700	12600	911	275	2730	413	2890012	6/205 ET 0	157 292 000
	150/148 K	6700	12600	911	275	2730	413	2890033	8/205 ET 0	157 299 000
305/70R19.5	150/148 K	6700	12600	911	275	2730	413	2890005	10/225 ET 0	157 300 000
	150/148 K	6700	12600	911	275	2730	413	8595	10/225 ET 146.5	157 294 000
	148/145 M	6300	11600	941	297	2815	424	2890012	6/205 ET 0	157 304 000
	148/145 M	6300	11600	941	297	2815	424	2890033	8/205 ET 0	-
385/55R19.5	148/145 M	6300	11600	941	297	2815	424	2890005	10/225 ET 0	-
	157 J	8000	-	935	381	2785	422	2890131	8/275 ET 0	157 365 000
	157 J	8000	-	935	381	2785	422	2890138	10/335 ET 120	157 367 000
435/50R19.5	160 J	9000	-	931	436	2821	431	2890151	8/275 ET 0	157 364 000
	160 J	9000	-	931	436	2821	431	2890133	10/335 ET 120	157 375 000
445/45R19.5	160 J	9000	-	911	436	2712	416	2890151	8/275 ET 0	157 369 000
	160 J	9000	-	911	436	2712	416	2890133	10/335 ET 120	157 376 000
275/70R22.5	148/145 M	6300	11600	974	279	2920	447	2920215	8/275 ET 0	157 325 000
	148/145 M	6300	11600	974	279	2920	447	2920614	10/335 ET 152.5	157 327 000
	148/145 M	6300	11600	974	279	2920	447	2920185	10/335 ET 0	157 328 000
	148/145 M	6300	11600	974	279	2920	447	2920187	10/335 ET 150.5	157 316 000
305/70R22.5	152/148 L	7100	12600	1018	309	3050	463	2920754	10/335 ET 152.5	157 323 000
315/70R22.5	154/150 L	7500	13400	1032	312	3090	468	2920198	10/335 ET 0	157 324 000
	154/150 L	7500	13400	1032	312	3090	468	2920738	10/335 ET 161	-
295/60R22.5	150/147 L	6700	12300	940	292	2806	434	2920198	10/335 ET 0	157 341 000
315/60R22.5	152/148 L	7100	12600	966	305	2880	442	2920198	10/335 ET 0	157 345 000
	152/148 L	7100	12600	966	305	2880	442	2920738	10/335 ET 161	157 346 000
385/55R22.5	160 K	9000	-	1012	396	3059	461	2920532	8/275 ET 0	157 357 000
	160 K	9000	-	1012	396	3059	461	2920693	10/335 ET 0	157 355 000
	160 K	9000	-	1012	396	3059	461	2920751	10/335 ET 120	157 356 000
385/65R22.5	160 K	9000	-	1092	405	3248	495	2920693	10/335 ET 0	157 358 000
	160 K	9000	-	1092	405	3248	495	2920751	10/335 ET 120	157 359 000
	164 K	10000	-	1092	405	3248	495	2920693	10/335 ET 0	157 358 000
425/65R22.5	165 K	10300	-	1146	430	3405	514	2920654	10/335 ET 0	157 362 000
	165 K	10300	-	1146	430	3405	514	2920652	10/335 ET 120	157 362 000
445/65R225	169 K	11600	-	1174	454	3485	524	2920655	10/335 ET 0	157 363 000

The technical specifications contained in this brochure are approximate and no guarantee is given as to their accuracy. Designs are subject to change.

14.04.03.2

Wheels

Wheels

Complete wheels for truck trailers



Gebr. TITGEMEYER GmbH & Co. KG

Hannoversche Straße 97
(Navigation: Hettlicher Masch 2)
49084 Osnabrück. Germany
P.O. Box 43 20
49033 Osnabrück. Germany
Phone: +49 (0)5 41/58 22-0
Fax: +49 (0)5 41/58 22-9910
email: export@titgemeyer.com
www.titgemeyer.com